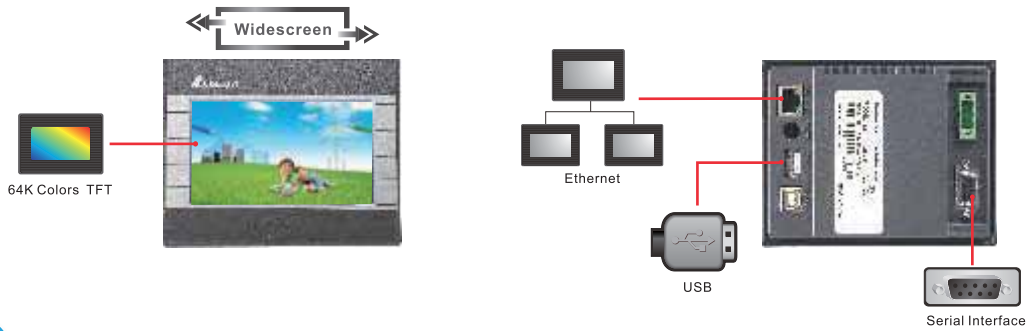


Specifications

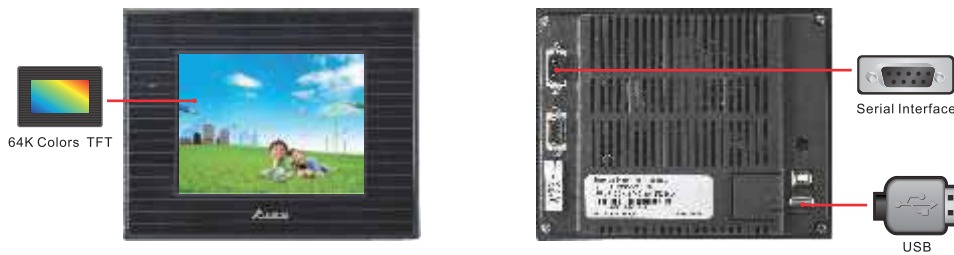
B03 High Resolution Widescreen

Model Name	Display Size	Display Type	Resolution	ROM	Ethernet	USB Host	USB Client	Memory Card	Audio Output
DOP-B03S211	4.3-inch	65536 Colors TFT	480x272	128MB	N/A	v1.1 * 1	V2.0 * 1	N/A	N/A
DOP-B03E211	4.3-inch	65536 Colors TFT	480x272	128MB	10/100 Base-T	v1.1 * 1	V2.0 * 1	N/A	N/A



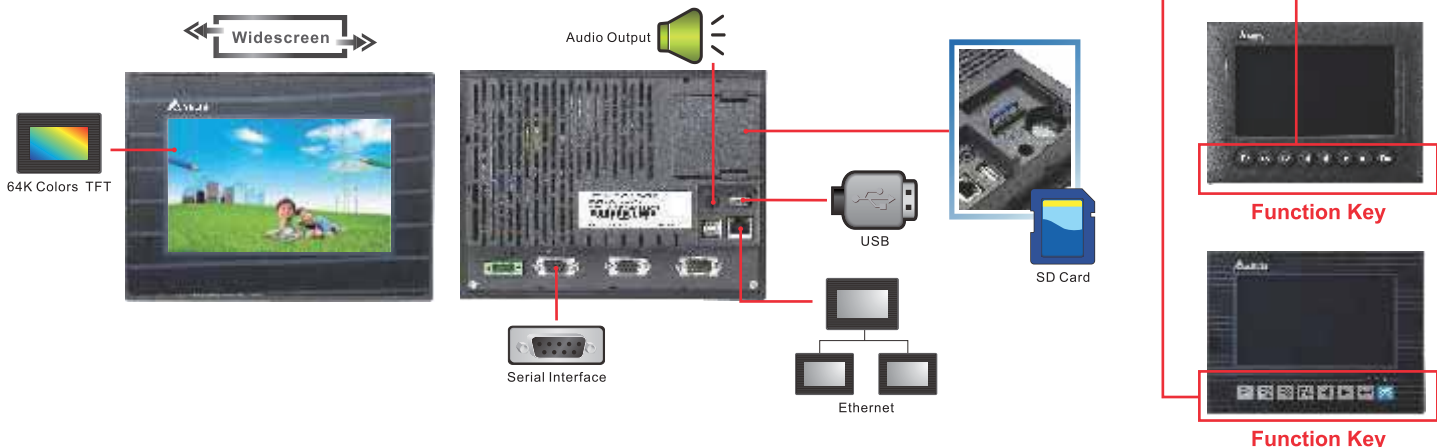
B05 Standard

Model Name	Display Size	Display Type	Resolution	ROM	Ethernet	USB Host	USB Client	Memory Card	Audio Output
DOP-B05S111	5.6-inch	65536 Colors TFT	320x234	128 MB	N/A	v1.1 * 1	v2.0 * 1	N/A	N/A



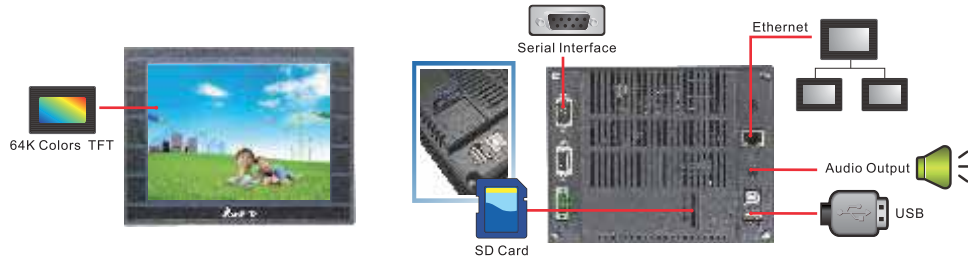
B07 High Resolution Widescreen

Model Name	Display Size	Display Type	Resolution	ROM	Ethernet	USB Host	USB Client	Memory Card	Audio Output	Function Key	Delta Professional Integration Function
DOP-B07S411	7-inch	65536 Colors TFT	800x480	128MB	N/A	v1.1 * 1	V2.0 * 1	N/A	N/A	N/A	N/A
DOP-B07S401K	7-inch	65536 Colors TFT	800x480	128MB	N/A	v1.1 * 1	V2.0 * 1	N/A	N/A	8	N/A
DOP-B07S411K	7-inch	65536 Colors TFT	800x480	128MB	N/A	v1.1 * 1	V2.0 * 1	N/A	N/A	8	N/A
DOP-B07S415	7-inch	65536 Colors TFT	800x480	128MB	N/A	v1.1 * 1	V2.0 * 1	SD	N/A	N/A	N/A
DOP-B07E415	7-inch	65536 Colors TFT	800x480	128MB	10/100 Base-T	v1.1 * 1	V2.0 * 1	SD	YES	N/A	N/A
DOP-B07PS415	7-inch	65536 Colors TFT	800x480	128MB	N/A	v1.1 * 1	V2.0 * 1	SD	N/A	N/A	YES



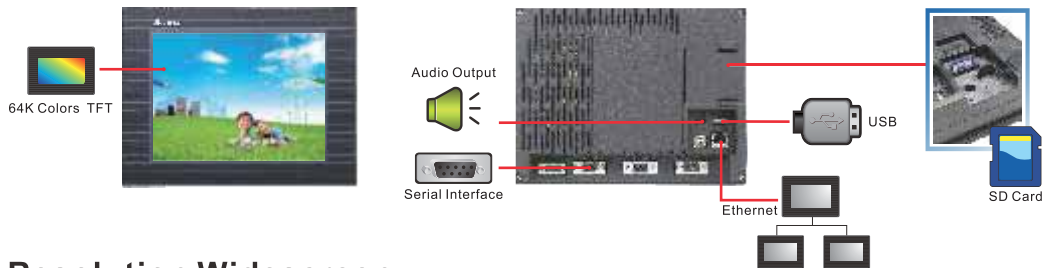
B07 High Resolution

Model Name	Display Size	Display Type	Resolution	ROM	Ethernet	USB Host	USB Client	Memory Card	Audio Output	Delta Professional Integration Function
DOP-B07S515	7-inch	65536 Colors TFT	800x600	128MB	N/A	v1.1 * 1	V2.0 * 1	SD	N/A	N/A
DOP-B07E515	7-inch	65536 Colors TFT	800x600	128MB	10/100 Base-T	v1.1 * 1	V2.0 * 1	SD	YES	N/A
DOP-B07PS515	7-inch	65536 Colors TFT	800x600	128MB	N/A	v1.1 * 1	V2.0 * 1	SD	N/A	YES



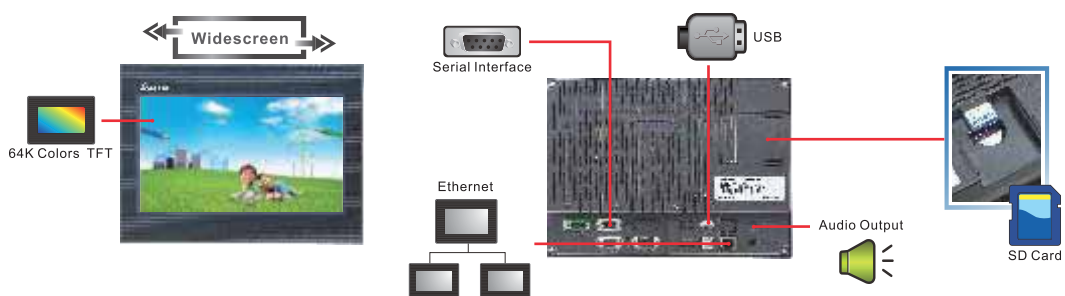
B08 High Resolution

Model Name	Display Size	Display Type	Resolution	ROM	Ethernet	USB Host	USB Client	Memory Card	Audio Output
DOP-B08S515	8-inch	65536 Colors TFT	800x600	128MB	N/A	v1.1 * 1	V2.0 * 1	SD	N/A
DOP-B08E515	8-inch	65536 Colors TFT	800x600	128MB	10/100 Base-T	v1.1 * 1	V2.0 * 1	SD	YES



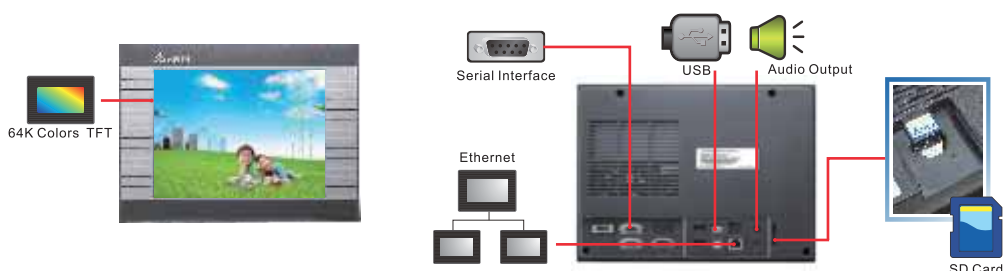
B10 High Resolution Widescreen

Model Name	Display Size	Display Type	Resolution	ROM	Ethernet	USB Host	USB Client	Memory Card	Audio Output
DOP-B10S411	10.1-inch	65536 Colors TFT	800x480	128MB	N/A	v1.1 * 1	V2.0 * 1	N/A	N/A
DOP-B10S615	10.1-inch	65536 Colors TFT	1024x600	128MB	N/A	v1.1 * 1	V2.0 * 1	SD	N/A
DOP-B10E615	10.1-inch	65536 Colors TFT	1024x600	128MB	10/100 Base-T	v1.1 * 1	V2.0 * 1	SD	YES



B10 High Resolution

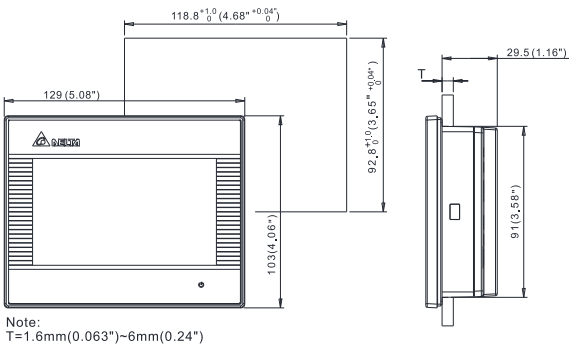
Model Name	Display Size	Display Type	Resolution	ROM	Ethernet	USB Host	USB Client	Memory Card	Audio Output
DOP-B10S511	10.4-inch	65536 Colors TFT	800x600	128MB	N/A	v1.1 * 1	V2.0 * 1	N/A	N/A
DOP-B10E515	10.4-inch	65536 Colors TFT	800x600	128MB	10/100 Base-T	v1.1 * 1	V2.0 * 1	SD	YES



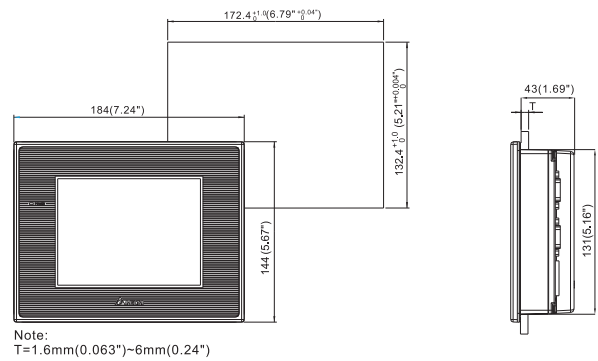


Dimensions Units: mm (inches)

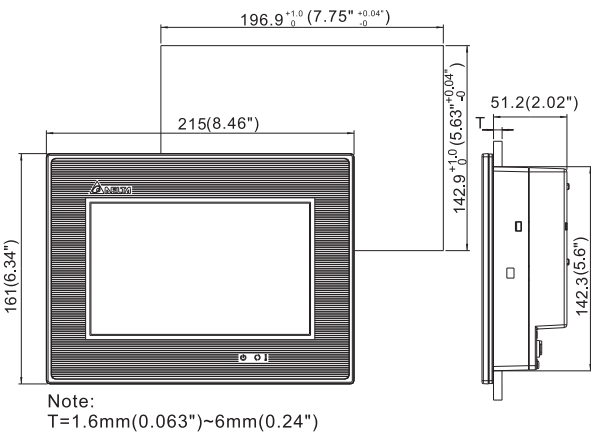
● DOP-B03S(E)211



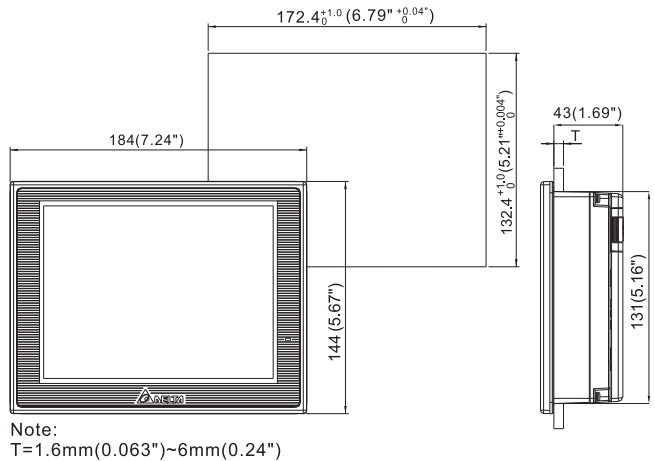
● DOP-B05S111



● DOP-B07S401K / DOP-B07S411(K) DOP-B07S(E)415 / DOP-B07PS415



● DOP-B07S(E)515 / DOP-B07PS515

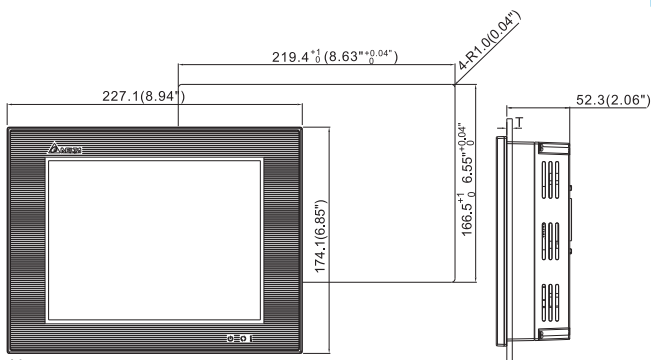


Optional Accessories

Model Name	Description
DOP-CA232DP	DOP-CA232DP: RS-232 Communication Cable for DVP Series PLC (Female Socket)
DVPACAB2A30	DVPACAB2A30: RS-232 Communication Cable for DVP Series PLC (Male Socket)
DOP-CAUSBAB	DOP-CAUSBAB: USB Communication Cable

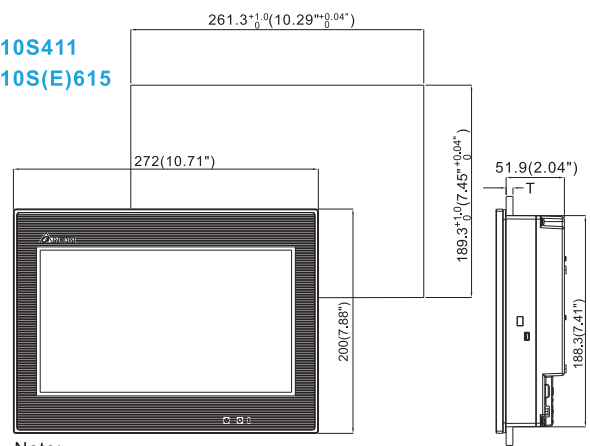


● **DOP-B08S(E)515**



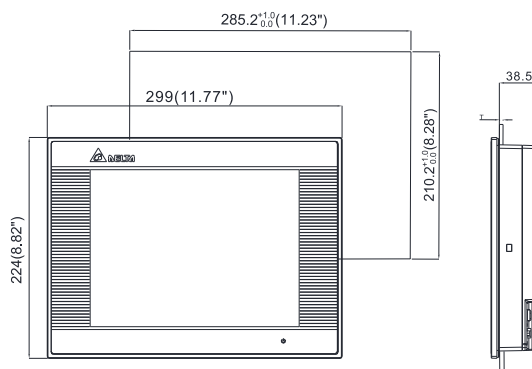
Note:
T=1.6mm(0.06")~5.0mm(0.19")

● **DOP-B10S411**
DOP-B10S(E)615



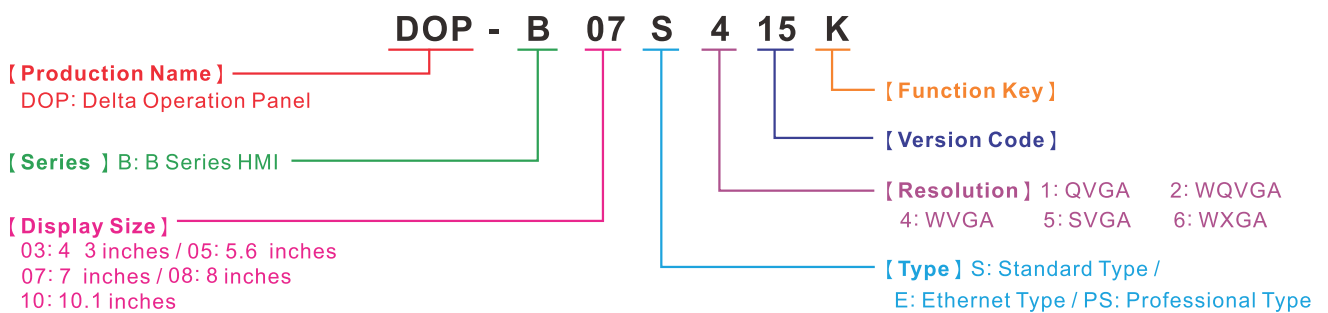
Note:
T=1.6mm(0.063")~6mm(0.24")

● **DOP-B10S511**
DOP-B10E515



Note:
T=1.6mm(0.063")~6mm(0.24")

Ordering Information



Specifications

MODEL		DOP-B03S211	DOP-B03E211	DOP-B05S111	DOP-B07S411	DOP-B07S401K DOP-B07S411K	DOP-B07S415 DOP-B07PS415	DOP-B07E415	
LCD MODULE	Display Type	4.3" TFT LCD (65536 colors)		5.6" TFT LCD (65536 colors)	7" Widescreen TFT LCD (65536 colors)				
	Resolution	480 x 272 pixels		320 x 234 pixels	800 x 480 pixels				
	Backlight	LED Back Light (less than 20,000 hours half-life at 25°C) ^(Note 1)							
	Display Size	95.04 x 53.856mm	113.28 x 84.70mm		154.08 x 85.92mm	152.4 x 91.44mm			
Operating System		Delta Real Time OS							
MCU		32-bit RISC Micro-controller							
Flash ROM		Flash ROM 128 MB(OS System: 30MB / Backup: 16MB / User Application: 82MB)							
SDRAM		64Mbytes							
Backup Memory		16Mbytes							
Sound Effect Output	Buzzer	Multi-Tone Frequency (2K ~ 4K Hz) / 85dB							
	AUX	N/A	N/A	N/A	N/A	N/A	N/A	Stereo output	
Ethernet Interface		N/A	IEEE 802.3, IEEE 802.3u 10/100 Mbps Auto-sensing (has built-in isolated power circuit) ^(Note 3)	N/A	N/A	N/A	N/A	IEEE 802.3, IEEE 802.3u 10/100 Mbps Auto-sensing (has built-in isolated power circuit) ^(Note 3)	
Memory Card		N/A	N/A	N/A	N/A	N/A	SD card (support SDHC)		
USB		1 USB Host ^(Note 2) Ver 1.1 / 1 USB Client Ver 2.0							
Serial COM Port	COM1	RS-232 (Supports hardware flow control) / RS-485		RS-232 (supports hardware flow control)					
	COM2	RS-422 / RS-485		RS-232 / RS-485			RS-232 / RS-422 RS-485	RS-232 / RS-422 RS-485 (has built-in isolated power circuit) ^(Note 3)	
	COM3	N/A		RS-422 / RS-485			RS-232 / RS-422 RS-485	RS-232 / RS-422 RS-485 (has built-in isolated power circuit) ^(Note 3)	
Function Key		N/A			8	N/A			
Perpetual Calendar (RTC)		Built-in							
Cooling Method		Natural air circulation							
Safety Approval		CE / UL ^(Note 4) / KCC ^(Note 4)							
Waterproof Degree		IP65 / NEMA4							
Operation Voltage ^(Note 5)		DC +24V(-10% ~ +15%) (please use isolated power supply)							DC +24V (-10% ~ +15%) (has built-in isolated power circuit) ^(Note 3)
Voltage Endurance		AC500V for 1 minute (between charging DC24 terminal and FG terminals)							
Power Consumption ^(Note 5)		2.64W	2.64W	3.0W	4W	4W	5W	7.5W	
Backup Battery		3V lithium battery CR2032 x 1							
Backup Battery Life		It depends on the temperature used and the conditions of usage, about 3 years or more at 25°C							
Operation Temp		0°C ~ 50°C							
Storage Temp		-20°C ~ +60°C							
Ambient Humidity		10% ~ 90% RH [0 ~ 40°C], 10% ~ 55% RH [41 ~ 50°C], Pollution Degree 2							
Vibration / Shock		IEC 61131-2 compliant 5Hz ~ 8.3Hz = Continuous: 3.5mm, 8.3Hz ~ 150Hz = Continuous: 1.0g IEC 60068-2-27 compliant 15g peak for 11 ms duration, X, Y, Z directions for 6 times							
Dimensions (W) x (H) x (D) mm		129 x 103 x 39	129 x 103 x 39	184 x 144 x 50	215 x 161 x 50	215 x 161 x 50	215 x 161 x 50	215 x 161 x 50	
Panel Cutout (W) x (H) mm		118.8x 92.8	118.8x 92.8	172.4 x 132.4	196.9 x 142.9	196.9 x 142.9	196.9 x 142.9	196.9 x 142.9	
Weight		Approx. 230g	Approx. 264g	Approx. 670g	Approx. 820g	Approx. 820g	Approx. 970g	Approx. 970g	

1) The half-life of backlight is defined as original luminance being reduced by 50% when the maximum driving current is supplied to HMI.

2) USB Host port can provide up to 5V/500mA of power.

3) The isolated power circuit can withstand a 1500V voltage peak for 1 minute.

4) Some models are in the process of application for UL and KCC certification. For more information, please consult our distributors.

5) The value of the power consumption indicates the electrical power consumed by HMI with no peripheral devices connected. To ensure normal operation, it is recommended using a power supply with a capacity 1.5 ~ 2 times the value of the power consumption.

6) Users can download the DOPSoft, the program editor of Delta HMI products and the user manual via the following link:

<http://www.delta.com.tw/ia>

7) The content of this catalogue may be revised without prior notice. Please consult our distributors or download the most updated version at

<http://www.delta.com.tw/ia>

DOP-B07S515	DOP-B07PS515	DOP-B07E515	DOP-B08S515	DOP-B08E515	DOP-B10S511	DOP-B10E515	DOP-B10S411	DOP-B10S615	DOP-B10E615
7" TFT LCD (65536 colors)			8" TFT LCD (65536 colors)		10.4" TFT LCD (65536 colors)		10.1" Widescreen TFT LCD (65536 colors)		
800 x 600 pixels							800 x 480 pixels	1024 x 600 pixels	
LED Back Light (less than 10,000 hours half-life at 25°C) ^(Note 1)									
141 x 105.75mm			162 x 121.5mm		211.2 x 158.4mm		219.6 x 131.76mm	226 x 128.7mm	
Delta Real Time OS									
32-bit RISC Micro-controller									
Flash ROM 128 MB(OS System: 30MB / Backup: 16MB / User Application: 82MB)									
64Mbytes									
16Mbytes									
Multi-Tone Frequency (2K ~ 4K Hz) / 85dB									
N/A	N/A	Stereo output	N/A	Stereo output	N/A	Stereo output	N/A	N/A	Stereo output
N/A	N/A	IEEE 802.3, IEEE 802.3u	N/A	IEEE 802.3, IEEE 802.3u	N/A	IEEE 802.3, IEEE 802.3u	N/A	N/A	IEEE 802.3, IEEE 802.3u
		10/100 Mbps Auto-sensing (has built-in isolated power circuit) ^(Note 3)		10/100 Mbps Auto-sensing (has built-in isolated power circuit) ^(Note 3)		10/100 Mbps Auto-sensing (has built-in isolated power circuit) ^(Note 3)			10/100 Mbps Auto-sensing (has built-in isolated power circuit) ^(Note 3)
SD card (support SDHC)					N/A	SD card (support SDHC)	N/A	SD card (support SDHC)	
1 USB Host ^(Note 2) Ver 1.1 / 1 USB Client Ver 2.0									
RS-232 (supports hardware flow control)									
RS-232 / RS-422 / RS-485	RS-232 / RS-422 RS-485 (has built-in isolated power circuit) ^(Note 3)		RS-232 / RS-422 / RS-485		RS-232 / RS-485 (has built-in isolated power circuit) ^(Note 3)		RS-232 / RS-422 / RS-485 (has built-in isolated power circuit) ^(Note 3)		
RS-232 / RS-422 / RS-485	RS-232 / RS-422 RS-485 (has built-in isolated power circuit) ^(Note 3)		RS-232 / RS-422 RS-485	RS-232 / RS-422 / RS-485 (has built-in isolated power circuit) ^(Note 3)					
N/A									
Built-in									
Natural air circulation									
CE / UL ^(Note 4) / KCC ^(Note 4)									
IP65 / NEMA4									
DC +24V (-10% ~ +15%) (please use isolated power supply)	DC +24V (-10% ~ +15%) (has built-in isolated power circuit) ^(Note 3)	DC +24V (-10% ~ +15%) (please use isolated power supply)	DC +24V (-10% ~ +15%) (has built-in isolated power circuit) ^(Note 3)	DC +24V (-10% ~ +15%) (has built-in isolated power circuit) ^(Note 3)					
AC500V for 1 minute (between charging DC24 terminal and FG terminals)									
7.68W	7.68W	7.68W	5.2W	7.8W	6.1W	9.6W	6.6W	12W	12W
3V lithium battery CR2032 x 1									
It depends on the temperature used and the conditions of usage, about 3 years or more at 25°C									
0°C ~ 50°C									
-20°C ~ +60°C									
10% ~ 90% RH [0 ~ 40°C], 10% ~ 55% RH [41 ~ 50°C], Pollution Degree 2									
IEC 61131-2 compliant 5Hz ~ 8.3Hz = Continuous: 3.5mm, 8.3Hz ~ 150Hz = Continuous: 1.0g IEC 60068-2-27 compliant 15g peak for 11 ms duration, X, Y, Z directions for 6 times									
184 x 144 x 50	184 x 144 x 50	184 x 144 x 50	227.1 x 174.1 x 61	227.1 x 174.1 x 61	299 x 224 x 51.1	299 x 224 x 51.1	272 x 200 x 61	272 x 200 x 61	272 x 200 x 61
172.4 x 132.4	172.4 x 132.4	172.4 x 132.4	219.4 x 166.5	219.4 x 166.5	285.2 x 210.2	285.2 x 210.2	261.3 x 189.3	261.3 x 189.3	261.3 x 189.3
Approx. 800g	Approx. 800g	Approx. 800g	Approx. 1226g	Approx. 1228g	Approx. 1700g	Approx. 1700g	Approx. 1520g	Approx. 1520g	Approx. 1520g

1) The half-life of backlight is defined as original luminance being reduced by 50% when the maximum driving current is supplied to HMI.

2) USB Host port can provide up to 5V/500mA of power.

3) The isolated power circuit can withstand a 1500V voltage peak for 1 minute.

4) Some models are in the process of application for UL and KCC certification. For more information, please consult our distributors.

5) The value of the power consumption indicates the electrical power consumed by HMI with no peripheral devices connected. To ensure normal operation, it is recommended using a power supply with a capacity 1.5 ~ 2 times the value of the power consumption.

6) Users can download the DOPSoft, the program editor of Delta HMI products and the user manual via the following link:

<http://www.delta.com.tw/ia>

7) The content of this catalogue may be revised without prior notice. Please consult our distributors or download the most updated version at

<http://www.delta.com.tw/ia>